

Angular Contact Ball Bearings

Bearing No. : **NACHI 7218BDF**

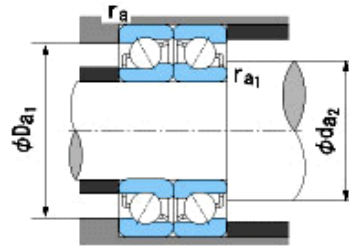
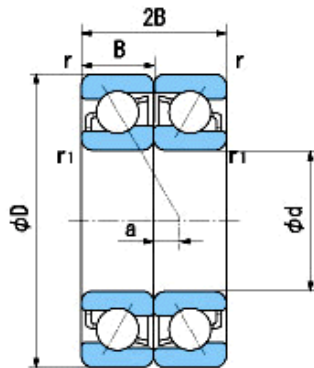
■ Bearing Type

■ Clearance

■ Tolerance Class

Dimensions

d = 90 0
-0.020
D = 160 0
-0.025
B = 30 0
0.000
r = 2~3.5
(Radial Direction)
r = 2~5
(Axial Direction)
r1 = 1~1.9
(Radial Direction)
r1 = 1~3
(Axial Direction)
a = 37.5



Dimensions

da1(min) = 100
da2(min) = 96
Da1(max) = 150
Da2(max) = 154
ra(max) = 2
ra1(max) = 1
Mass = 4.6 kg

Basic Dynamic Load Rating Cr : **179,000** N

Basic Static Load Rating Cor : **194,000** N

Limiting Speed ;

Grease Lubrication : **2,500** min⁻¹

Oil Lubrication : **3,400** min⁻¹

	INNER RING	OUTER RING
O.D.Surface Runout with Side :		-
Axial Runout with Bore :	-	-
Axial Runout with Raceway :	-	-
Width Variation :	0.025	0.025
Radial Runout :	0.025	0.045